



INSTRUCTIONS

-J04475

REV. 2007-06-13

DYNA AIR CLEANER COVER

GENERAL

Kit Number

29193-XXXXX

Models

For model fitment information, please see the P&A Retail Catalog or the Parts and Accessories section of www.harley-davidson.com (English only).

Additional Parts Required

Loctite® Threadlocker and Sealant- Blue, (Harley-Davidson part number 99642-97).

Kit Contents

See Figure 1 and Table 1.

There are no Service Parts available with this kit.

INSTALLATION

1. Remove current air cleaner cover and screw.
2. See Figure 1. Coat threads of screw (1) with Loctite 243. Install new air cleaner cover (2) with screw (1). Tighten screw to 36-60 in-lbs (4.1-6.8 Nm).

SERVICE PARTS

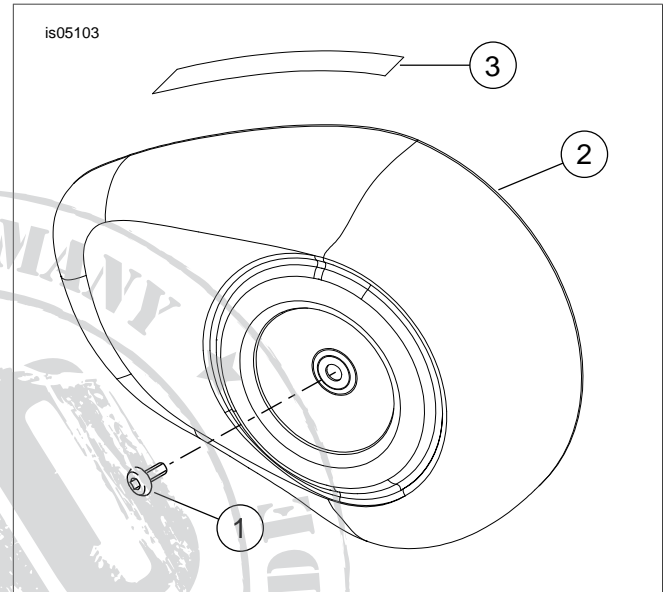


Figure 1. Service Parts: Dyna Air Cleaner Cover

Table 1. Service Parts

Item	Description (Quantity)	Part Number
1	Screw, cover	Not Sold Separately
2	Cover, air cleaner	Not Sold Separately
3	Warning label (factory installed)	Not Sold Separately