



INSTRUCTIONS

-J05350

REV. 2010-12-15

AIR CLEANER COVER

GENERAL

Kit Number

29138-91A

Models

For model fitment information, see the P&A Retail Catalog or the Parts and Accessories section of www.harley-davidson.com (English only).

Additional Parts Required

Separate purchase of LOCTITE® 243 Threadlocker and Sealant - Blue (part no. 99642-97) or equivalent is required for proper installation of this kit.

NOTE

For 1999-Later Twin Cam models: A Screamin' Eagle Air Cleaner Assembly is required in order for the proper installation of this Air Cleaner Cover. Screamin' Eagle Air Cleaner Assemblies can be purchased separately or as a component part of a Screamin' Eagle Stage Kit. Contact your Harley-Davidson dealer for information.

Kit Contents

See Figure 1 and Table 1.

INSTALLATION

1. Remove air cleaner cover screw and air cleaner cover.
2. **For Evolution Models:** See Figure 1. Apply Loctite 243 (blue) to screw (2) threads and install new air cleaner cover (1). Tighten screw to 36-60 **in-lbs** (4-7 Nm).

For Twin Cam Models: See Figure 1. Apply Loctite 243 (blue) to screw (3) threads and install new air cleaner cover (1). Tighten screw to 36-60 **in-lbs** (4-7 Nm).

SERVICE PARTS

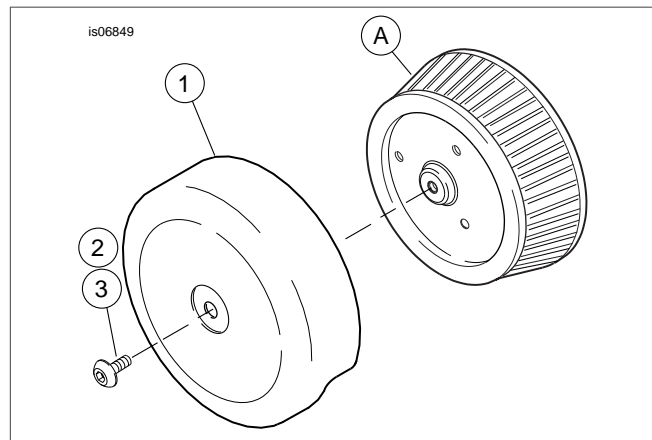


Figure 1. Service Parts: Air Cleaner Cover Kit

Table 1. Service Parts Table

Item	Description (Quantity)	Part Number
1	Air Cleaner Cover	Not sold separately
2	Screw (short)	2405A
3	Screw (long)	10200040
Items mentioned in text but not included in kit:		
A	Air filter	

