



INSTRUCTIONS

-J04769

REV. 2008-07-08

DECORATIVE TRIM FOR HEAVY BREATHER

GENERAL

Kit Number

29017-09

Models

For model fitment information, see the P&A Retail Catalog or the Parts and Accessories section of www.harley-davidson.com (English only).

Kit Contents

Table 1. Kit Contents

Description (Quantity)	Part Number
Medallion	Not Sold Separately
Medallion Insert	Not Sold Separately

INSTALLATION

NOTES

To avoid exposure to grease, oil, dust, dirt and skin oil, do not remove the backing film from the medallion or medallion insert until the moment of application.

For maximum adhesive bond, the intake tube surface under and immediately surrounding the medallion must be clean and dry.

1. Clean the surface of the intake tube with a mixture of 50-70 percent isopropyl alcohol and 50-30 percent distilled water. Allow to dry thoroughly.

NOTE

Ambient temperature should be 70-100 °F (21-38 °C).

2. See Figure 1. Remove backing film from medallion insert (1) and install on medallion (2).
3. With the backing film still in place, trial fit the medallion (2) to the intake tube.
4. Remove the backing film from the back of the medallion. Press the medallion firmly into position for about five seconds.
5. After releasing pressure, avoid direct contact with the medallion for at least 20 minutes.

NOTE

Allow AT LEAST 24 hours before exposing the air cleaner to vigorous washing, strong water spray or extreme weather. The adhesive bond will increase to maximum strength after about 72 hours at normal room temperature.

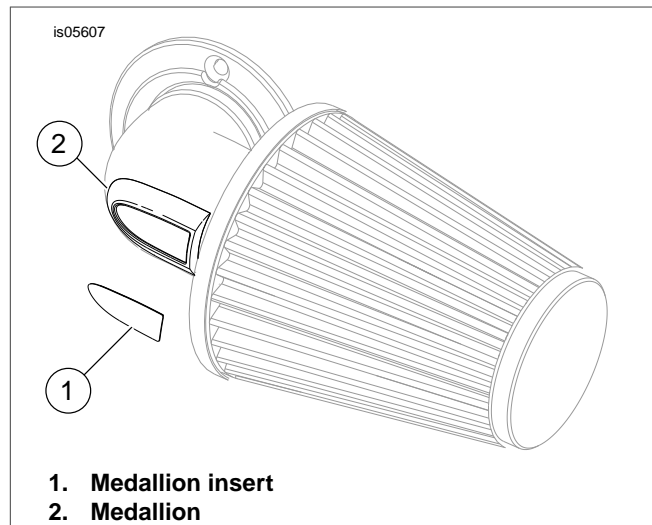


Figure 1. Install Decorative Trim

