



INSTRUCTIONS

-J05923

2014-06-02

COOLANT HOSE COVER KIT

GENERAL

Kit Number

26900107, 26900108

Models

For model fitment information, see the P&A Retail Catalog or harley-davidson.com (English only).

⚠ WARNING

The rider's safety depends upon the correct installation of this kit. If the procedure is not within your capabilities or you do not have the correct tools, have a Harley-Davidson dealer perform the installation. Improper installation of this kit could result in death or serious injury. (00308a)

Kit Contents

See Figure 2 and Table 1.

INSTALLATION

1. See Figure 1. Remove output sprocket cover screw (7) and washer (5). Remove washer from screw.
2. Remove ignition coil cover (8).
3. Remove two inner ignition coil bracket screws (1).
4. Slide coolant hose cover (2) under ignition coil bracket. Cover fits over coolant hoses.
5. Loosely install ignition coil bracket screws.
6. Place washer removed in step 1 between coolant hose cover tab (3) and sprocket cover (4).
7. Place D-washer (6) on sprocket cover screw.
8. Loosely install screw and D-washer.
9. Tighten sprocket cover screw to 9–11 N·m (80–97 in-lbs).
10. Tighten ignition coil bracket screws to 22.5–27.5 N·m (17–20 ft-lbs).
11. Install ignition coil cover.

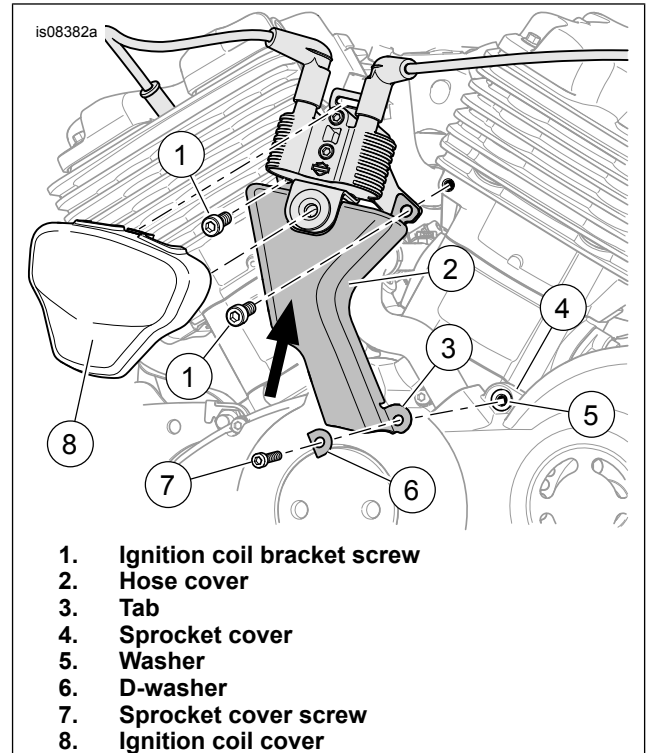


Figure 1. Hose Cover

SERVICE PARTS

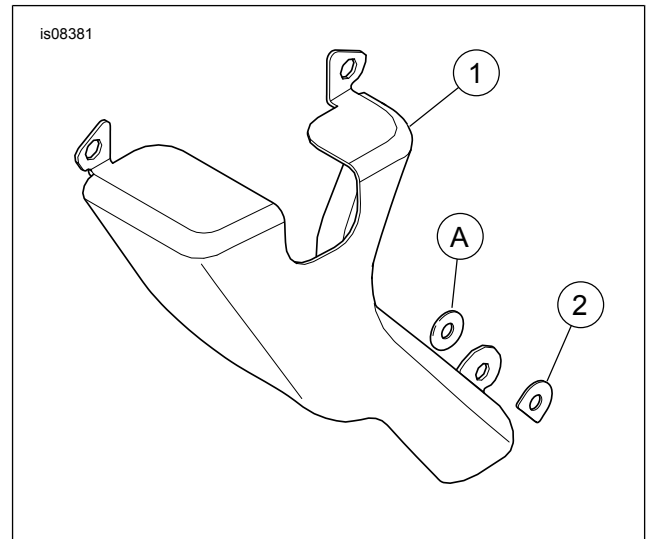


Figure 2. Service Parts

Table 1. Service Parts

Item	Description (Quantity)	Part Number
1	Hose cover	Not Sold Separately
2	D washer	10600033
Items mentioned in text, but not included in kit.		
A	Stock washer	