



INSTRUCTIONS

-J03654

2015-02-13

DERBY COVER KIT

GENERAL

Kit Numbers

25125-04A, 25127-04A, 25130-04A, 25343-04A, 25383-04A, 25384-04A, 25440-04A, 25333-10, 25341-10, 25700063, 25700131, 25700255, 25700257, 25700506, 25700541

Models

For model fitment information, see the P&A Retail Catalog or the Parts and Accessories section of www.harley-davidson.com (English only).

Kit Contents

See Figure 1 and Table 1.

⚠ WARNING

The rider's safety depends upon the correct installation of this kit. Use the appropriate service manual procedures. If the procedure is not within your capabilities or you do not have the correct tools, have a Harley-Davidson dealer perform the installation. Improper installation of this kit could result in death or serious injury. (00333a)

NOTE

This instruction sheet references service manual information. A service manual for your model motorcycle is required for this installation and is available from a Harley-Davidson Dealer.

INSTALLATION

NOTE

On models without forward controls, it may be necessary to remove the left footpeg for removal and installation of the derby cover (clutch inspection cover).

1. See the service manual and remove and discard the existing screws and washers that secure the clutch inspection cover. Remove and discard the original cover.
2. See the service manual. Install the clutch inspection cover (derby cover).

SPECIAL CARE INSTRUCTIONS

This derby cover is chrome-plated, with paint filled accents.

NOTE

To prevent damage to the cover surface, do not use any detergents, chemical solvents, polishes or abrasive cleaning agents.

To keep this surface in best condition, lightly wipe with a Harley-Davidson Microfiber cloth (Part No. 94663-02) using clear water or a mild Harley-Davidson cleaner such as:

- Sunwash (Part No. 94659-98)

- Bug Remover (Part No. 94657-98)
- Harley Gloss (Part No. 94627-98).

NOTE

These cleaners are available separately or as part of the Harley Care Starter Kit (Part No. 94671-99A) from a Harley Davidson Dealer.

SERVICE PARTS

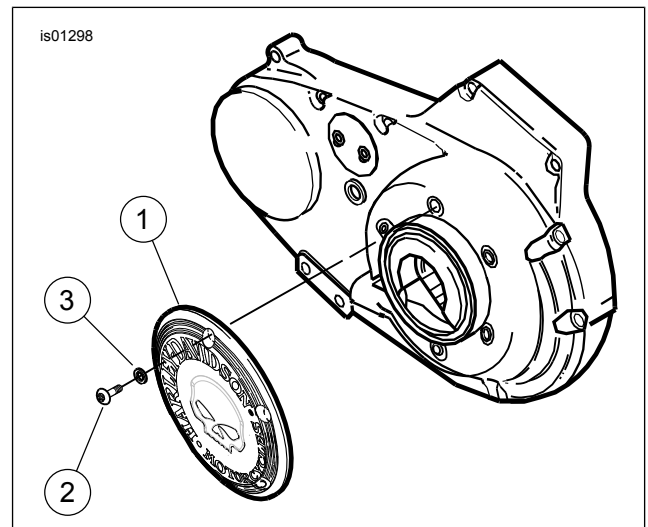


Figure 1. Service Parts: Derby Cover Kit

Table 1. Service Parts: Derby Cover Kit

Item	Description (Quantity)	Part Number
1	Derby cover	Not Sold Separately
2	Screws (6)	9461
3	Washers (6)	9600

