



INSTRUCTIONS

-J05527

2011-12-06

XL TAPPET BLOCK COVER

GENERAL

Kit Numbers

25700195, 25700197

Models

For model fitment information, see the P&A Retail Catalog or the Parts and Accessories section of www.harley-davidson.com (English only).

⚠ WARNING

The rider's safety depends upon the correct installation of this kit. If the procedure is not within your capabilities or you do not have the correct tools, have a Harley-Davidson dealer perform the installation. Improper installation of this kit could result in death or serious injury. (00308a)

Kit Contents

Kit includes tappet block cover, bracket, lock washer and fastener. There are no Service Parts available with this kit.

TAPPET BLOCK COVER INSTALLATION

1. See Figure 1. Remove the two inside fasteners (2) from the tappet blocks (1). Save fasteners for later installation.
2. See Figure 2. Install the bracket (4) to the cover (1) using the fastener (3) and lock washer (2) from the kit. The tab on the cover will fit into the slot on the bracket. Tighten fastener to 10.2–13.6 N·m (90–120 in-lbs).
3. See Figure 3. Install the bracket and cover assembly to the tappet blocks with fasteners retained from previous step. Tighten fasteners to 10.2–13.6 N·m (90–120 in-lbs).

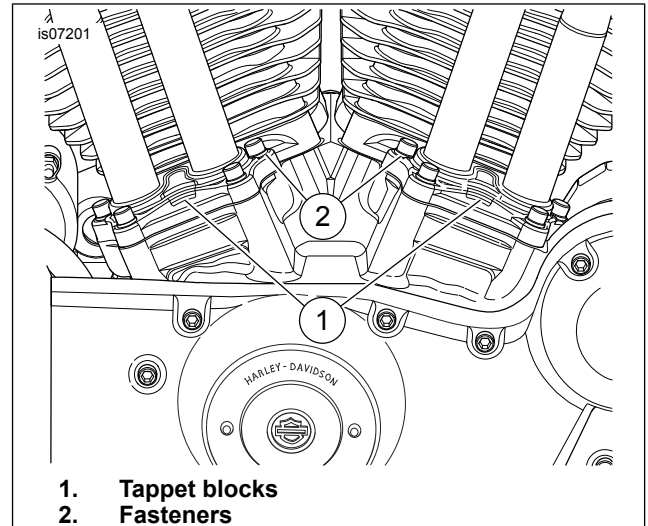


Figure 1. Tappet Block Fasteners

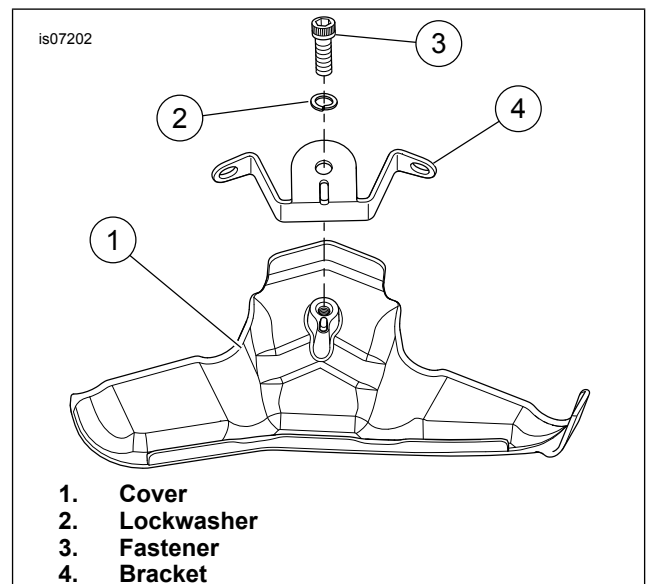


Figure 2. Bracket

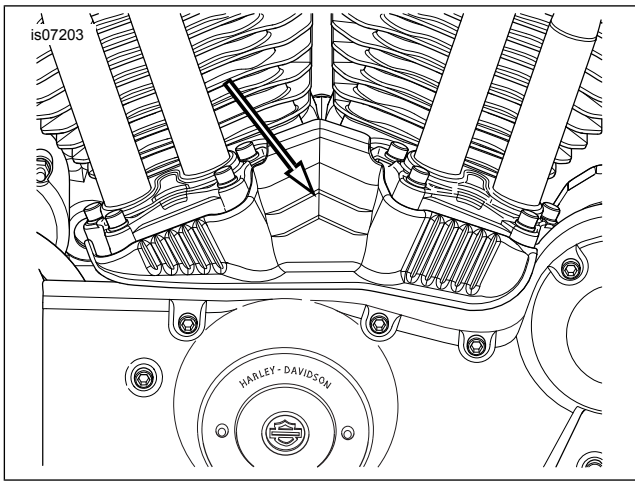


Figure 3. Installed Tappet Cover