



# INSTRUCTIONS

-J05528

2011-12-06

## XL PRIMARY AND CYLINDER BASE COVER KIT

### GENERAL

#### Kit Numbers

25700194, 25700196

#### Models

For model fitment information, see the P&A Retail Catalog or the Parts and Accessories section of [www.harley-davidson.com](http://www.harley-davidson.com) (English only).

#### ⚠ WARNING

The rider's safety depends upon the correct installation of this kit. If the procedure is not within your capabilities or you do not have the correct tools, have a Harley-Davidson dealer perform the installation. Improper installation of this kit could result in death or serious injury. (00308a)

#### Kit Contents

Kit includes inner primary cover, cylinder base cover and case bolt. There are no Service Parts available with this kit.

### COVER INSTALLATION

1. See Figure 1. Remove and discard case bolt (1).
2. Remove the primary fasteners shown (2). Save fasteners for installation.
3. Place a small bead of silicone around the inside of the empty bolt hole from step 1. Insert the case bolt from kit through the hole in the cylinder base cover and loosely install it in the case.
4. See Figure 2. Slide the inner edge of the primary cover (1) under the bottom edge of the cylinder base cover (2) and attach it with the fasteners removed in step 2. Tighten fasteners to 10.9 N·m (8 ft-lbs).
5. Tighten case bolt (3) to 20.4 N·m (15 ft-lbs).

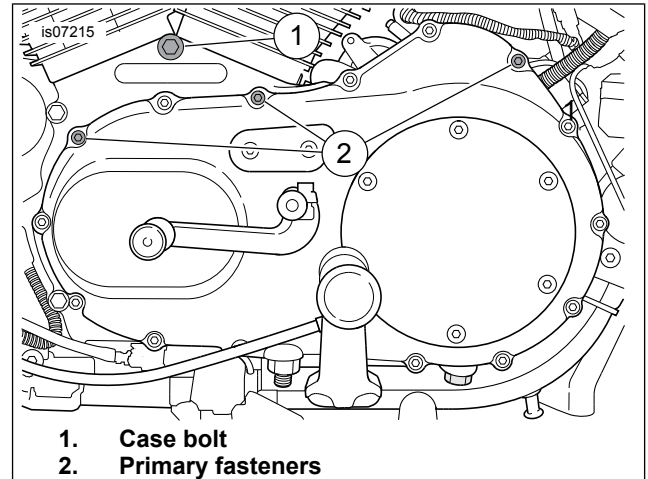


Figure 1. Remove Fasteners

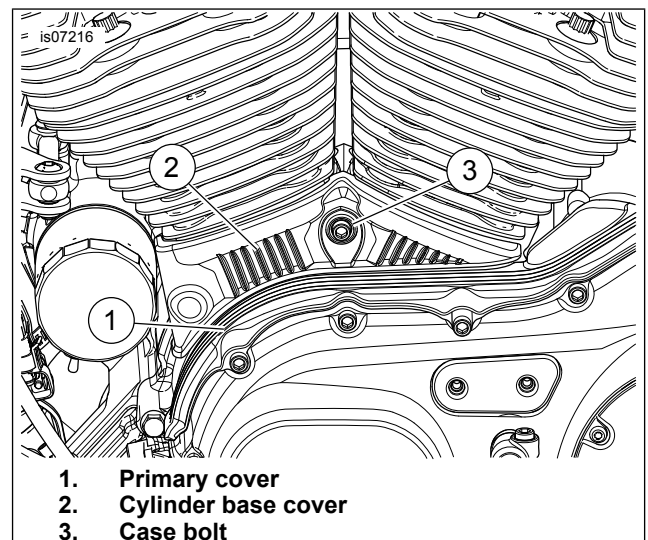


Figure 2. Primary And Cylinder Base Covers