



INSTRUCTIONS

-J05115

REV. 2010-03-24

CHROME OIL COOLER COVER KIT

GENERAL

Kit Number

25700007

Models

For model fitment information, see the P&A Retail Catalog or the Parts and Accessories section of www.harley-davidson.com (English only).

Additional Parts Required

Heat Gun, (HD-25070) or equivalent.

WARNING

The rider's safety depends upon the correct installation of this kit. If the procedure is not within your capabilities or you do not have the correct tools, have a Harley-Davidson dealer perform the installation. Improper installation of this kit could result in death or serious injury. (00308a)

Kit Contents

See and Table 1.

INSTALLATION

WARNING

Be sure to follow manufacturer's instructions when using the Robinair Heat Gun or any other radiant heating device. Failure to follow manufacturer's instructions can cause a fire, which could result in death or serious injury. (00379a)

1. See Figure 1. Remove the oil cooler guard (2) from the oil cooler (1) by using the Heat Gun (or equivalent) to apply heat to the top surface (3). Pull the guard away from the oil cooler and discard.
2. Remove the three locknuts (5) fastening the oil cooler to the mounting bracket (4).
3. Raise the oil cooler slightly to separate the studs on the underside of the oil cooler from the mounting bracket.
4. Place the oil cooler cover (6) onto the oil cooler studs, between the oil cooler and the mounting bracket.

5. Lower the oil cooler and cover into the holes in the mounting bracket.
6. Place a locknut onto each stud. Line the oil cooler cover up squarely against the oil cooler, and tighten the locknuts to 80-100 **in-lbs** (9.1-12.4 Nm).

SERVICE PARTS

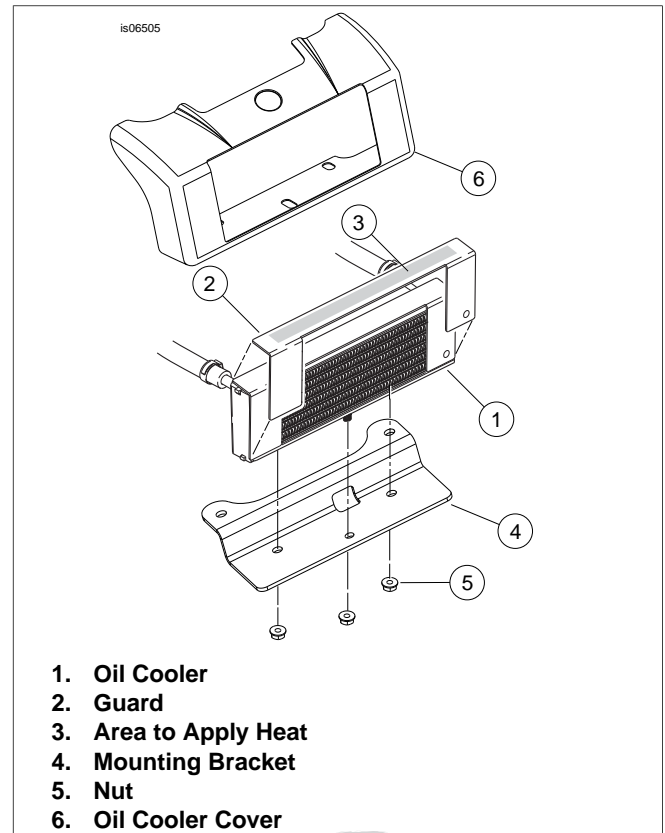


Figure 1. Oil Cooler Cover

Table 1. Kit Contents

Description (Quantity)	Part Number
Cover, oil cooler, chrome	25700007