



# INSTRUCTIONS

-J05905

2014-12-19

## PRIMARY COVER TRIM KIT

### GENERAL

#### Kit Numbers

25600033, 25600034, 25600035, 25600044

#### Models

For model fitment information, see the P&A retail catalog or the Parts and Accessories section of [www.harley-davidson.com](http://www.harley-davidson.com) (English only).

#### Kit Contents

This kit contains one cover trim, one bracket, two screws and these instructions. See Table 1 and Figure 1.

Table 1. Service Parts

Item	Description (Quantity)	Part Number
1	Button head cap screw, Torx (2)	94590-98
2	Cover trim	Not sold separately
3	Bracket	25600036

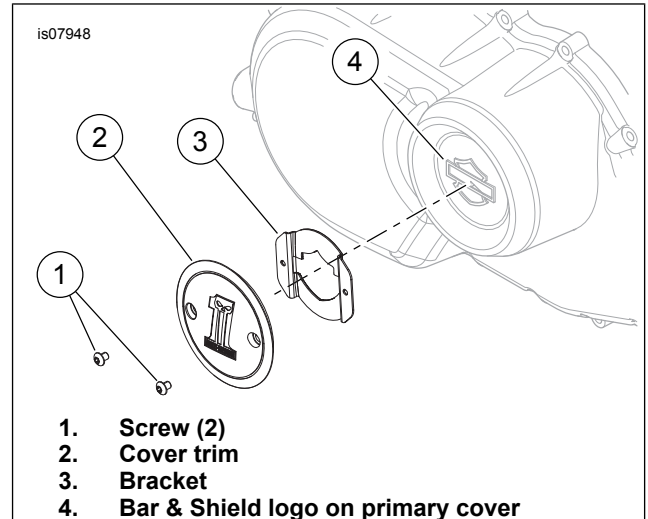


Figure 1. Service Parts, Primary Cover Trim Kit

### INSTALLATION

#### NOTE

- Make sure that ambient temperature is **at least** 7 °C (45 °F) for proper adhesion.
- Allow **AT LEAST 24 hours** after application before exposing the area to vigorous washing, strong water spray or extreme weather.
- The adhesive bond will increase to maximum strength after about 72 hours at normal room temperature.

1. Clean with a 50-50 mixture of isopropyl alcohol and distilled water. Allow to dry completely.
2. See Figure 1. Test-fit the bracket (3) before removing the protective backing from the tape. The cutout fits over the Bar & Shield logo (4).
3. Remove the protective backing from the tape. Install the bracket. Hold in place for 30 seconds.
4. Secure the trim with two screws (1). Tighten to 3.4–4.2 N·m (30–37 **in-lbs**).

