



Part No. 2320-0155



MEB1705

REVISION 0

1. Kit Contents

Plates Only - Black
Memphis Fats/Slim Windshield
HD XL 1200C Custom 2011 - 2014

Aluminum parts are electrocoated (E-coated) for durability and weather resistance.

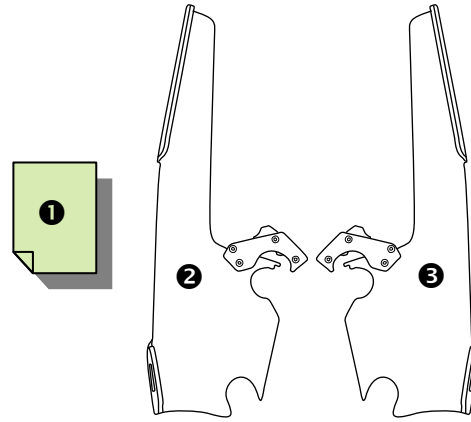
Before assembly, read Warnings inside

WARNING

1. During installation, make sure that the windshield and hardware do not interfere with any cables or wiring when the forks are turned all the way in either direction. Also make sure , through the full range of adjustment, that the windshield and hardware do not hit the gas tank.
2. This is a detachable windshield, ALWAYS make sure the locking mechanism is fully engaged.
3. The improper installation of this kit and related components could result in serious injury or death.

CAUTION

1. Memphis Shades windshields are made from Lucite® acrylic, and will last for years with proper care. Clean your windshield with plenty of soapy water (mild dish-washing liquid is best) and a soft cotton cloth. Use your bare hands to feel and dislodge bugs, or cover with a wet, soapy towel and let it soak. Don't use paper towels and scrape with anything. Small scratches can be removed with NOVUS #2.
2. Never use any glass cleaning products, petroleum based chemicals, or cleaning agents with ammonia, bleach or any other harsh chemicals. This includes (but not limited to) RainX, brake fluid, acetone, paint thinner, benzene and gasoline. "If it hurts your nose, it will hurt the plastic."
3. Glass cleansing agents will cause severe damage to your windshield, and will void your warranty. For care and cleaning we recommend using **Memphis Shades All Klear**, a unique cleaner/polish, bug remover and rain repellent that leaves a super slick
4. At certain times of the day the Sunlight can reflect off the curvature of a windshield and cause extreme heat build-up on motorcycle instruments and instrument panel. Take care when parking. Park facing the sun, place an opaque object over the instruments or adjust the windshield to avoid reflections.



Re	Code	Part Name	Qty
①	I1705	Mounting Instructions	1
②	M1607EB	Clutch side mounting plate	1
③	M1608EB	Throttle side mounting plate	1

2. Mounting Instructions

Additional tools required that are not included in this kit. 7/16" or 11mm Wrench.

1. Cover gas tank and front fender with towels to avoid damage during installation.

2. Install the two mounting plates onto the windshield, using the bottom and third bolt up. Leave the nylon washers off. The small tab goes to the bottom, big one at the top. *Tabs point in towards the Headlight.* (fig. 1)

3. Slip the windshield mounting plates and windshield onto the fork clamps, (fig 2 and 3) and secure the left and right side locking mechanism

4. Adjust the height, angle and alignment of the windshield and tighten **ALL** bolts. (fig. 5)

Note: This is a detachable windshield, ALWAYS make sure the Locking Mechanism is Fully Engaged after installing the windshield! (See Figure 4)

Memphis Shades warrants all product components, metal and plastic, against defects in materials and workmanship for 24 months.

For Parts and Warranty Help, Contact:
 Memphis Shades, Inc.
 P.O. Box 429
 Rossville, TN 38066
 (901) 853 0293
 Visit us on the web at www.memphisshades.com or you can also reach us by email: customerservice@memphisshades.com

Fig. 1

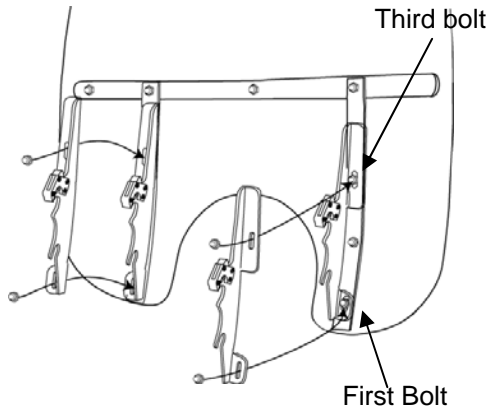


Fig. 4

Latch assembly

NOT CORRECT

CORRECT

**Fully engaged
Locking mechanism**

Fig. 2

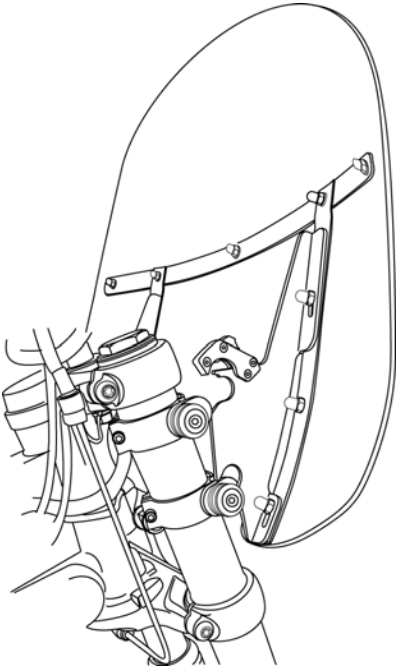
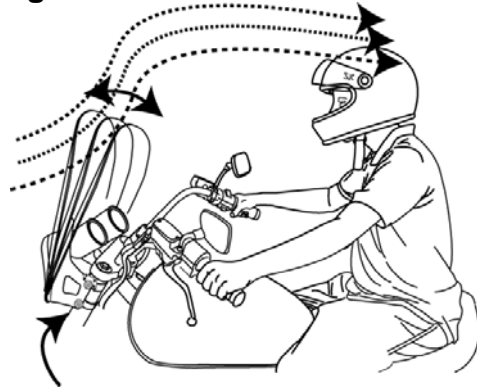
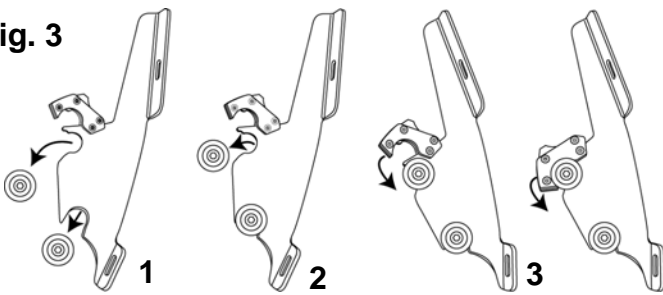


Fig. 5



Loosen Allen Bolt to adjust angle, then re-tighten Allen Bolt.

Fig. 3



1. Place lower slot into lower bushing.
2. Rotate top slot into place.
3. Secure locking Mechanism.
4. Loosen Allen Bolt to adjust angle, then re-tighten Allen Bolt.