



Part No. 2320-0152



MEK2005

REVISION 0

1. Kit Contents

**Trigger-Lock Mounting Kit - Polished
Memphis Fats/Slim Windshield
HD XL 1200C Custom 2011 - 2014**

**Aluminum parts are electrocoated (E-coated)
for durability and weather resistance.**

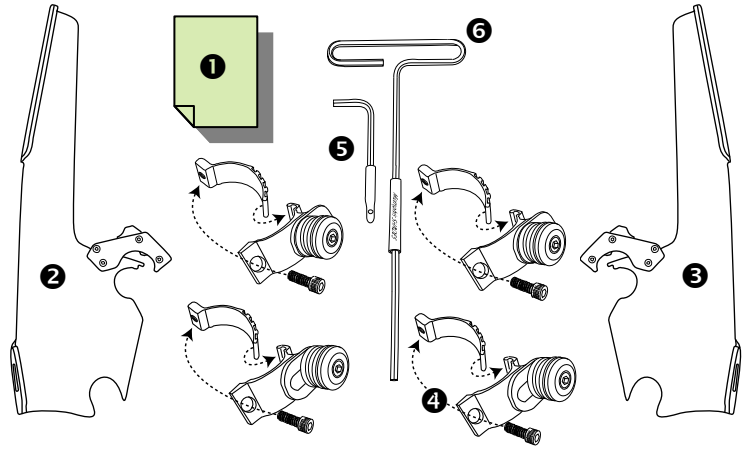
Before assembly, read Warnings inside

WARNING

1. During installation, make sure that the windshield and hardware do not interfere with any cables or wiring when the forks are turned all the way in either direction. Also make sure, through the full range of adjustment, that the windshield and hardware do not hit the gas tank.
2. This is a detachable windshield, ALWAYS make sure the locking mechanism is fully engaged.
3. The improper installation of this kit and related components could result in serious injury or death.

CAUTION

1. Memphis Shades windshields are made from Lucite® acrylic, and will last for years with proper care. Clean your windshield with plenty of soapy water (mild dish-washing liquid is best) and a soft cotton cloth. Use your bare hands to feel and dislodge bugs, or cover with a wet, soapy towel and let it soak. Don't use paper towels and scrape with anything. Small scratches can be removed with NOVUS #2.
2. Never use any glass cleaning products, petroleum based chemicals, or cleaning agents with ammonia, bleach or any other harsh chemicals. This includes (but not limited to) RainX, brake fluid, acetone, paint thinner, benzene and gasoline. "If it hurts your nose, it will hurt the plastic."
3. Glass cleansing agents will cause severe damage to your windshield, and will void your warranty. For care and cleaning we recommend using **Memphis Shades All Kleer**, a unique cleaner/polish, bug remover and rain repellent that leaves a super slick
4. At certain times of the day the Sunlight can reflect off the curvature of a windshield and cause extreme heat build-up on motorcycle instruments and instrument panel. Take care when parking. Park facing the sun, place an opaque object over the instruments or adjust the windshield to avoid reflections.



Re	Code	Part Name	Qty
1	I2005	Mounting Instructions	1
2	M1607EC	Clutch side mounting plate	1
3	M1608EC	Throttle side mounting plate	1
4	S1215EC	Small detachable clamp assembly	4
5	M310	Short arm allen wrench, 3/16	1
6	M314	T-Handle Wrench, 3/16	1

2. Mounting Instructions

Additional tools required that are not included in this kit. 7/16" or 11mm Wrench.

1. Cover gas tank and front fender with towels to avoid damage during installation.
2. Install the two mounting plates onto the windshield, using the bottom and third bolt up. Leave the nylon washers off. The small tab goes to the bottom, big one at the top. *Tabs point out towards the Headlight.* (fig. 1)
3. Loosely install the four Fork Clamps on the forks, approximately 2" apart. (fig. 2)
4. Start with Fork Clamp Bushing adjusted to rear of slot (fig. 4) Then adjust as needed and check for clearance. (See warning above.)
5. Slip the windshield mounting plates and windshield onto the fork clamps, (fig. 3 and 5) and secure the left and right side locking mechanism

Memphis Shades warrants all product components, metal and plastic, against defects in materials and workmanship for 24 months.

For Parts and Warranty Help, Contact:
 Memphis Shades, Inc.
 P.O. Box 429
 Rossville, TN 38066
 (901) 853 0293
 Visit us on the web at www.memphisshades.com or you can also reach us by email: customerservice@memphisshades.com

2. Mounting Instructions, continued

6. Adjust the height, angle and alignment of the windshield and tighten **ALL** bolts. (fig. 7)

Note: This is a detachable windshield, **ALWAYS** make sure the **Locking Mechanism is Fully Engaged** after installing the windshield! (See Figure 6)

Fig. 1

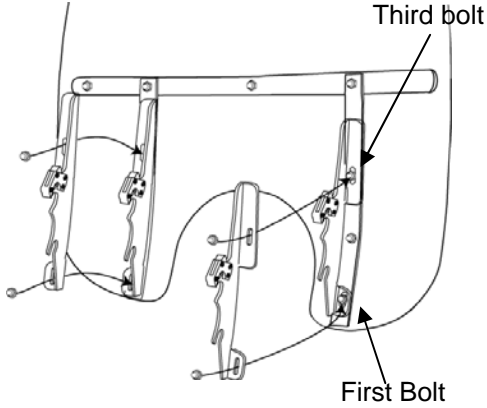
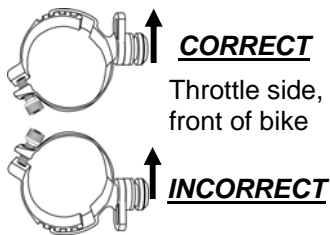


Fig. 2



CORRECT

Throttle side, front of bike

INCORRECT

WARNING: Mounting clamps backwards will cause damage to your tank.

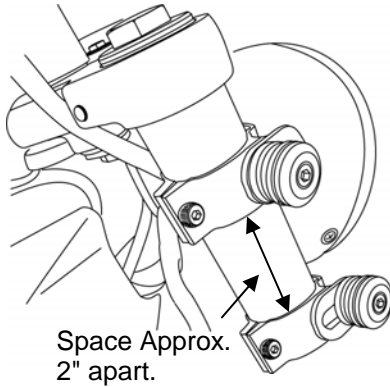


Fig. 3

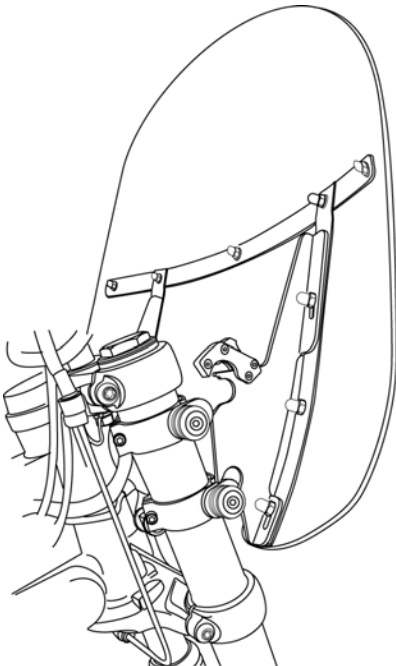
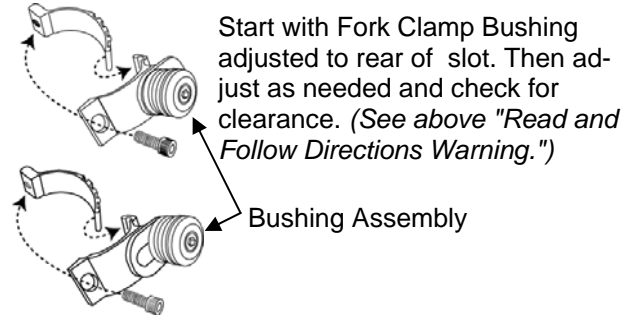


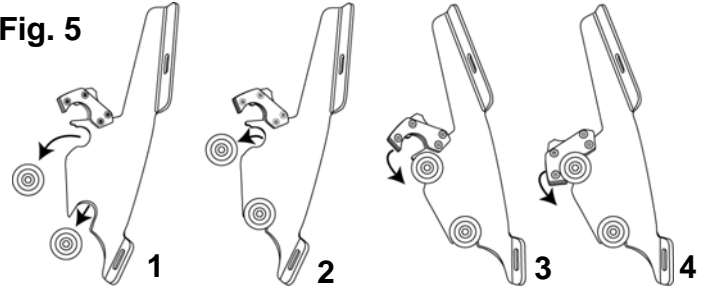
Fig. 4



Start with Fork Clamp Bushing adjusted to rear of slot. Then adjust as needed and check for clearance. (See above "Read and Follow Directions Warning.")

Bushing Assembly

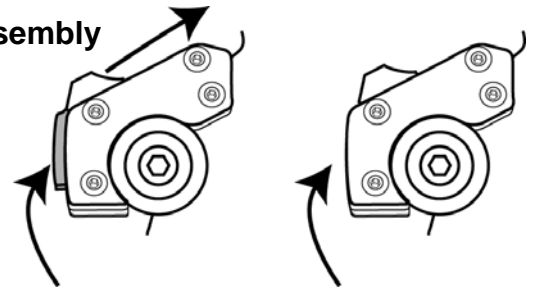
Fig. 5



1. Place lower slot into lower bushing.
2. Rotate top slot into place.
3. Secure locking Mechanism.
4. Loosen Allen Bolt to adjust angle, then re-tighten Allen Bolt.

Fig. 6

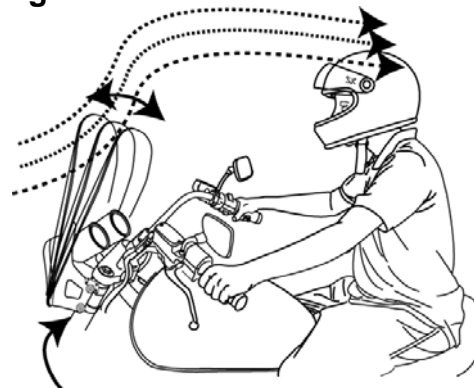
Latch assembly



NOT CORRECT

CORRECT
Fully engaged
Locking mechanism

Fig. 7



Loosen Allen Bolt to adjust angle, then re-tighten Allen Bolt.