



Part No. 2320-0072

MEB8923

REVISION 1

HD Covered forks with lightbar  
Sportshield Windshield  
Mounting kit, Black

Before assembly, read Warnings inside



**WARNING**

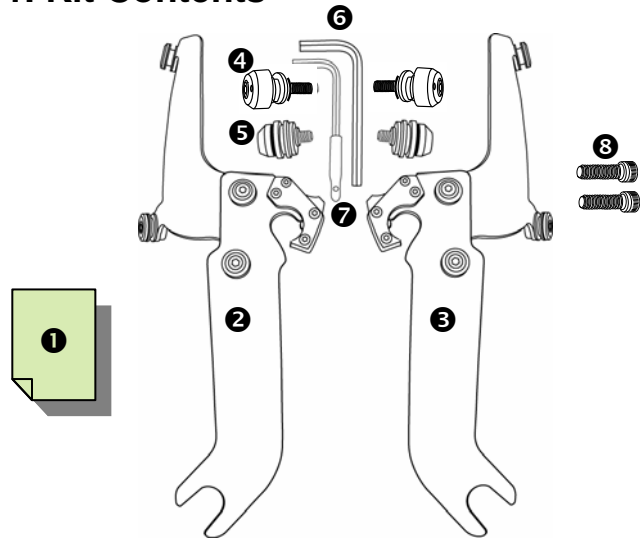
1. During installation, make sure that the windshield and hardware do not interfere with any cables or wiring when the forks are turned all the way in either direction. Also make sure , through the full range of adjustment, that the windshield and hardware do not hit the gas tank.
2. This is a detachable windshield, ALWAYS make sure the locking mechanism is fully engaged after installing the windshield.
3. The improper installation of this kit and related components could result in serious injury or death.



**CAUTION**

1. Memphis Shades windshields are made from Lucite® acrylic, and will last for years with proper care. Clean your windshield with plenty of soapy water (mild dish-washing liquid is best) and a soft cotton cloth. Use your bare hands to feel and dislodge bugs, or cover with a wet, soapy towel and let it soak. Don't use paper towels and scrape with anything. Small scratches can be removed with NOVUS #2.
2. Never use any glass cleaning products, petroleum based chemicals, or cleaning agents with ammonia, bleach or any other harsh chemicals. This includes (but not limited to) RainX, brake fluid, acetone, paint thinner, benzene and gasoline. "If it hurts your nose, it will hurt the plastic."
3. Glass cleansing agents will cause severe damage to your windshield, and will void your warranty.
4. At certain times of the day the Sunlight can reflect off the curvature of a windshield and cause extreme heat build-up on motorcycle instruments and instrument panel. Take care when parking. Park facing the sun, place an opaque object over the instruments or adjust the windshield to avoid reflections.

## 1. Kit Contents



Ref	Code	Description	Qty
①	I8923	Mounting Instructions	1
②	M1149EB	Clutch side mounting plate assembly	1
③	M1150EB	Throttle side mounting plate assembly	1
④	K45	Upper aluminum offset bushing assembly	2
⑤	K28	Lower bushing assembly	2
⑥	R340	1/4" Short arm allen wrench	1
⑦	R310	3/16" Short arm allen wrench	1
⑧	M361	5/16"24x1 1/2" SS Socket head cap screw	2

## 2. Mounting Instructions

Additional tools required that are not included in this kit. 1/2" wrench, 7/16" wrench.

1. **Cover gas tank and front fender with towels to avoid damage during installation.**
2. Remove upper light bar mounting bolts and rubber windshield docking bushings if equipped. Install the Upper aluminum offset bushings ④ provided (Fig 1). Add additional bolt head shim if needed to ensure that it tightens and does not rotate. Orientation dimple must face forward to create maximum clearance between Trigger-Lock and tank (Fig 2). Note. Additional 1 1/2" bolts ⑧ are included for some applications.
3. Remove the two lower Light Bar mounting bolts located on both sides of the forks. Install the new Lower bushing assemblies ⑤ on either side. (Fig 1)

Memphis Shades warrants all product components, metal and plastic, against defects in materials and workmanship for 24 months.

### For Parts and Warranty Help, Contact:

Memphis Shades, Inc.

P.O. Box 429

Rossville, TN 38066

(901) 853 0293

Visit us on the web at [www.memphisshades.com](http://www.memphisshades.com) or you can also reach us by email:

[customerservice@memphisshades.com](mailto:customerservice@memphisshades.com)

**HD Covered forks with lightbar  
Sportshield Windshield  
Mounting kit, Black**

**2. Mounting Instructions, continued**

4. Install the two mounting plates **2**, **3** onto the windshield, using the bolts that are pre-assembled on the mounting plates. The Santoprene Grommets should be inserted through the holes in the windshield so that the flat round part of the Grommet lies flat on each side of the windshield. Tabs point in towards the headlight. (Fig 3)

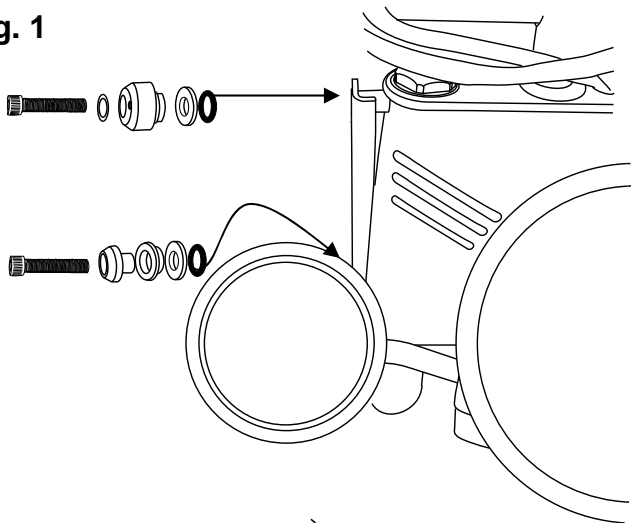
5. Slip the windshield mounting plates and windshield onto the upper and lower bushing assemblies. (Fig 4) and secure the left and right side locking mechanism.

6. Carefully turn forks all the way in either direction and check for clearance between Trigger-Lock and tank (Fig 2).

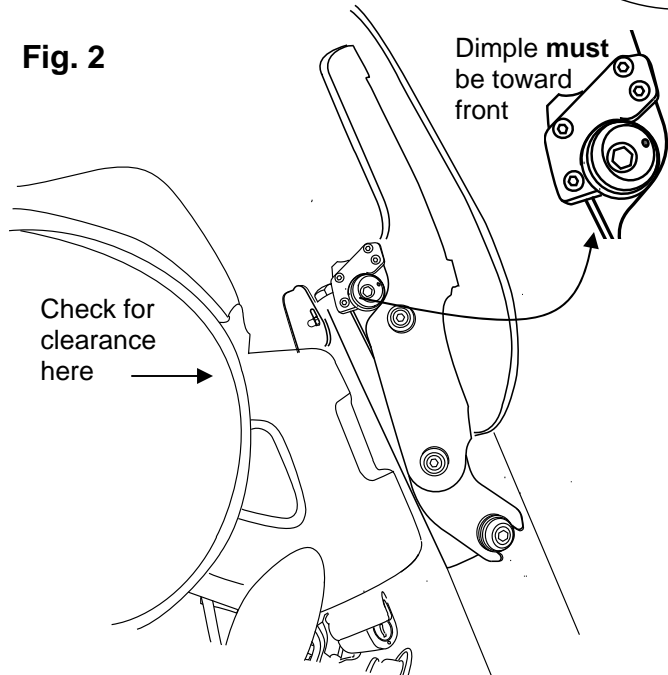
7. Adjust the height, angle and alignment of the windshield and tighten **ALL** bolts.

**Note: This is a detachable windshield, ALWAYS make sure the Locking Mechanism is Fully Engaged after installing the windshield!**

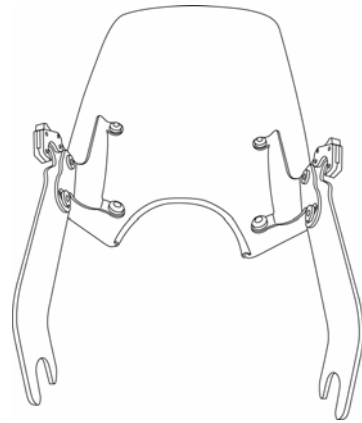
**Fig. 1**



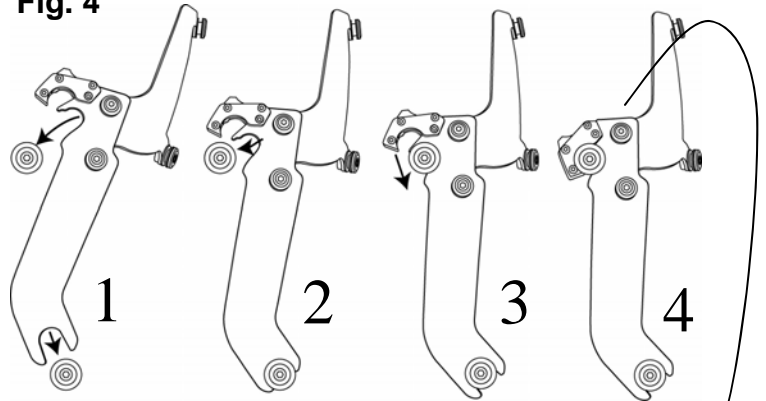
**Fig. 2**



**Fig. 3**



**Fig. 4**



1. Place lower slot into lower bushing.
2. Rotate top slot into place.
3. Secure locking Mechanism.
4. Loosen Allen Bolt to adjust angle, then re-tighten Allen Bolt.

