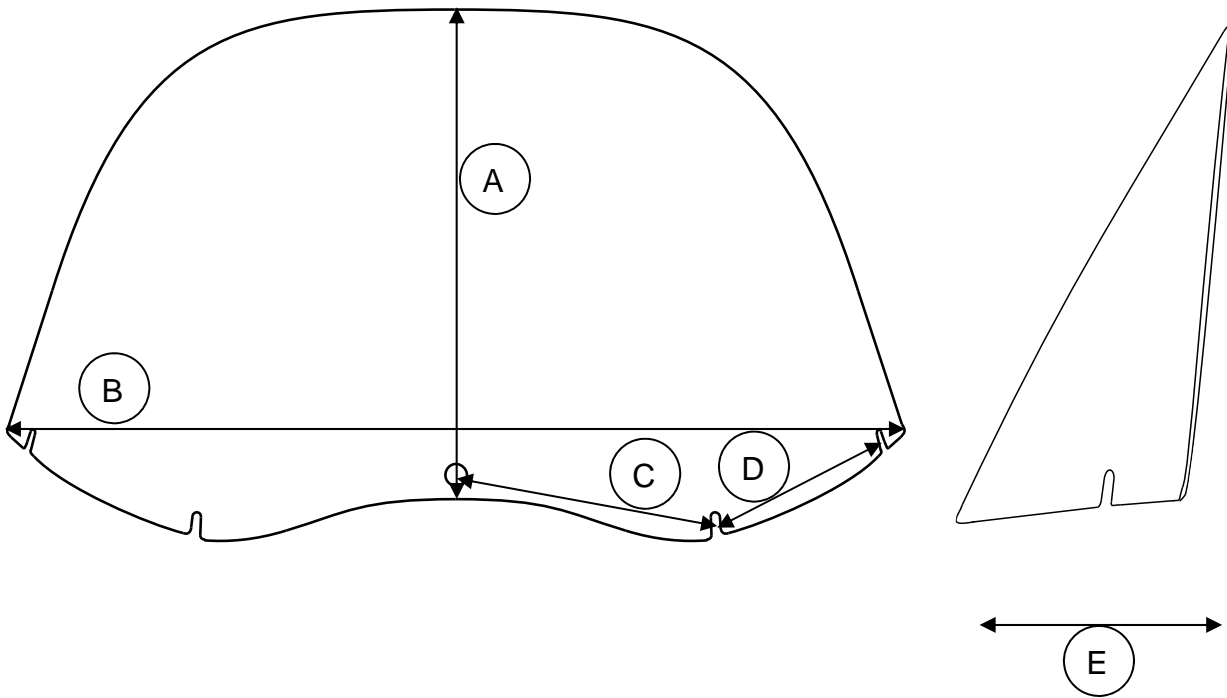




Product Specification

Item Name	HD Bagger FLT Late Models
Product Family	Replacement Plastic
Part Code	MEP82XX
Material	4.5mm thick, Lucite L
Available Headlight Cut Outs	NA
Available Heights	9", 11", 14", 17"
Available Widths	28.5"
Available Colors / Gradients	Black



Dimension	MEP827X	MEP824X	MEP825X	MEP826X
A	9"	11"	14"	17"
B	28.5"	28.5"	28.5"	28.5"
C	7.25"	7.25"	7.25"	7.25"
D	8"	8"	8"	8"
E	7.5"	7.5"	7.5"	7.5"