

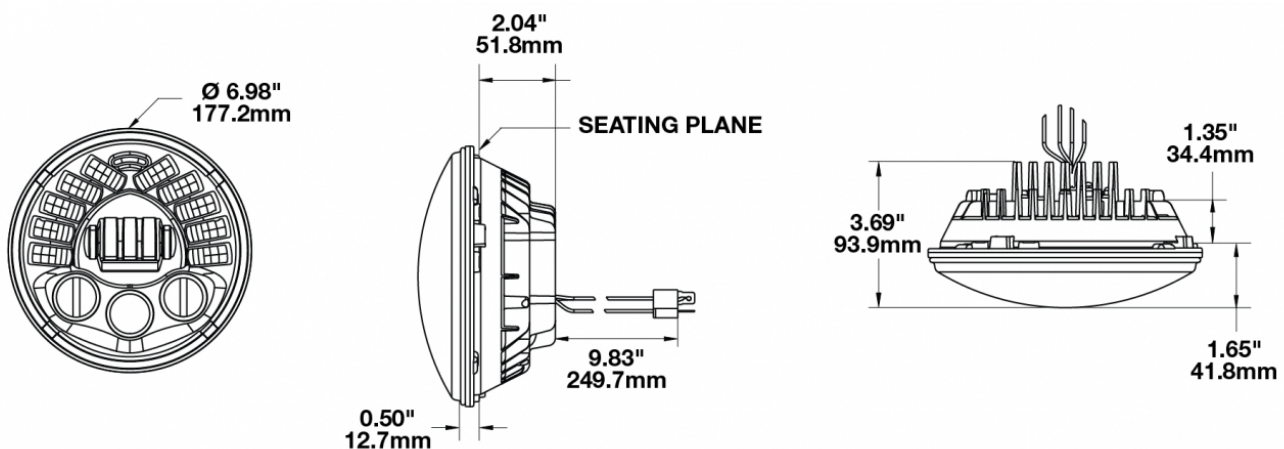
Adaptive LED Headlights - Model 8790 Adaptive

PRODUCT INFORMATION

Description	12V DOT/ECE LED High & Low Beam Adaptive Headlight with Black Inner Bezel
Height	177.20 mm / 6.98 in
Width	177.20 mm / 6.98 in
Depth	93.68 mm / 3.69 in
Shape	Round
Outer Lens Material	Polycarbonate
Outer Lens Color	Clear
Housing Material	Die-Cast Aluminum
Bezel Color	Black
Retrofits	Bucket 7" Round Headlights (PAR56)
Minimum Operating Temperature	-40 °C / -40 °F
Maximum Operating Temperature	65 °C / 149 °F
Connector or Wiring	H4
Mating Connector	H4 AMP#172615-2
Shipping Weight	2.42 lbs / 1.1 kgs



PRODUCT DIMENSIONS



Print date: 2017-07-25

© 2017 J.W. Speaker Corporation • Germantown, WI U.S.A.
 www.jwspeaker.com • speaker@jwspeaker.com • 262.251.6660

J.W. SPEAKER
 Engineered. Lighting. Solutions.

Adaptive LED Headlights - Model 8790 Adaptive

ELECTRICAL SPECIFICATIONS

Input Voltage	12V DC
Operating Voltage	9-16V DC
Black Wire	Ground
White Wire	High Beam
Yellow Wire	Low Beam
Red Wire	Front Position
Current Draw	2.90A @ 13.5V DC (High Beam) 1.90A @ 13.5V DC (Low Beam) 3.50A @ 13.5V DC (Low Beam at Full Lean) 0.092A @ 13.5V DC (Front Position)

REGULATORY STANDARDS COMPLIANCE



Buy America Standards
ECE Reg 50
FMVSS 108 Table XX
SAE J575
Tested to ECE Reg. 10
(Radiated Emissions only)

ECE Reg 113 Class D
Eco Friendly
IEC IP67
SAE J584

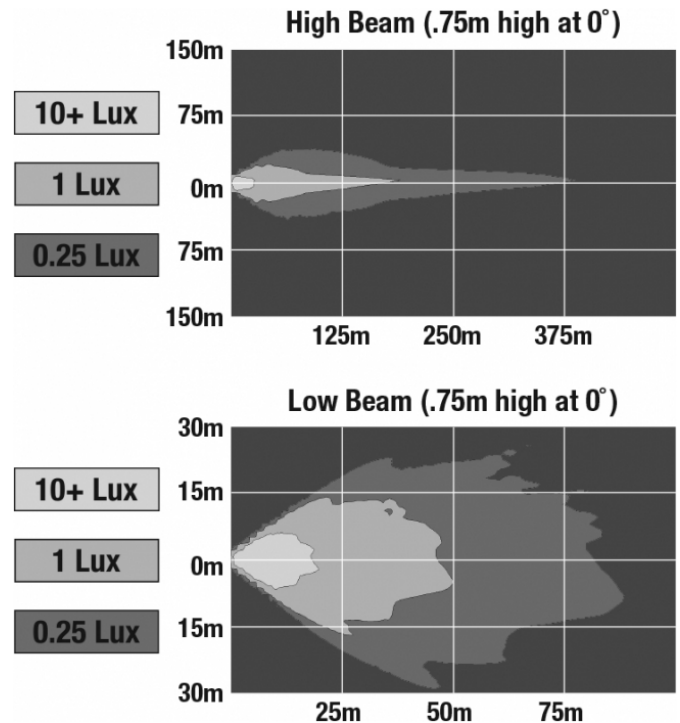
Print date: 2017-07-25

© 2017 J.W. Speaker Corporation • Germantown, WI U.S.A.
www.jwspeaker.com • speaker@jwspeaker.com • 262.251.6660

Adaptive LED Headlights - Model 8790 Adaptive

PHOTOMETRIC SPECIFICATIONS

Raw Lumen Output	2,250 (High Beam); 2,025 (Low Beam)
Effective Lumen Output	1,150 (High Beam); 850 (Low Beam)
Candela Output	48,000 (High Beam); 11,500 (Low Beam)
Nominal LED Color Temperature	5000 K
Beam Pattern(s)	Forward Lighting - High Beam (DOT/ECE) Forward Lighting - Low Beam (DOT/ECE)



APPLICATIONS



ADDITIONAL INFORMATION

Headlight must be securely mounted and properly aimed such that the beam pattern cut off line complies with all applicable regulations. If you are not familiar with the legal requirements for aiming your headlights, please see a professional service provider. We recommend that headlights are aimed with a headlight aiming system for proper alignment.

Note about Front Position: The front position light is a requirement outside the United States. **If your bike is operated in the United States you do NOT need to connect this wire (red)** unless your bike is equipped with a front position light.

Print date: 2017-07-25

© 2017 J.W. Speaker Corporation • Germantown, WI U.S.A.
www.jwspeaker.com • speaker@jwspeaker.com • 262.251.6660

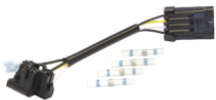
J.W. SPEAKER
Engineered. Lighting. Solutions.

Adaptive LED Headlights - Model 8790 Adaptive

DISABLING THE STARTUP PATTERN

The front position wire (red) must have power applied prior to applying power to the low beam (yellow). This can be accomplished through wiring the red wire into an auxiliary power source/ switch and turn the front position function on prior to supplying power to the low beam.

ACCESSORIES



Part Number
8200411

Wire Harness H4 for 7" Round (PAR56) Headlights



Part Number
3156351

Mounting Ring Kit for 7" Round (PAR56) Headlights

RELATED PRODUCTS



Part Number
0551331

12V DOT/ECE LED High & Low Beam Adaptive Headlight with Chrome Inner Bezel

Print date: 2017-07-25

© 2017 J.W. Speaker Corporation • Germantown, WI U.S.A.
www.jwspeaker.com • speaker@jwspeaker.com • 262.251.6660