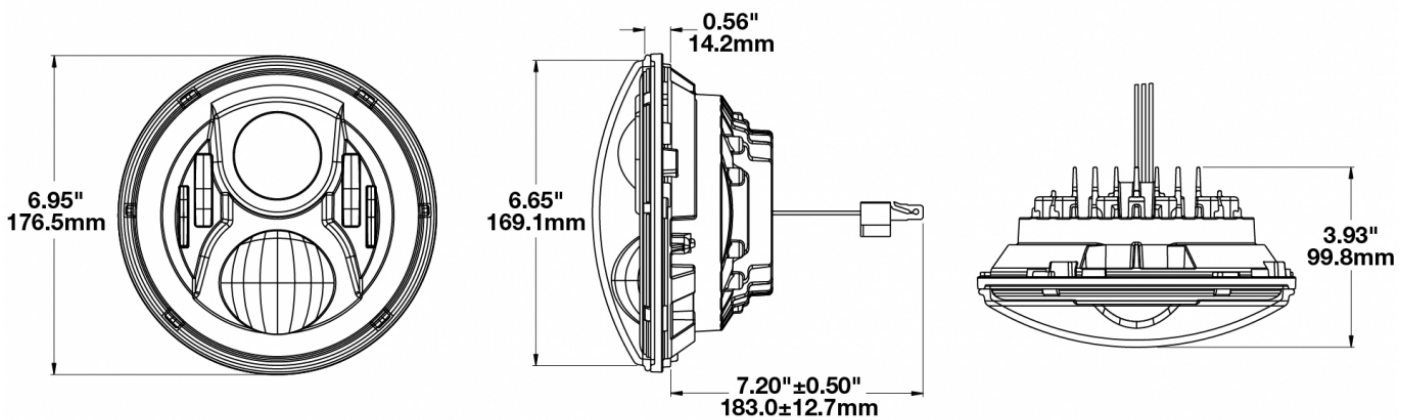




PRODUCT INFORMATION

Description	12-24V ECE LED RHT High & Low Beam Headlight with Black Inner Bezel
Height	6.95 (in) / 176.53 (mm)
Width	6.95 (in) / 176.53 (mm)
Depth	3.93 (in) / 99.82 (mm)
Shape	Round
Outer Lens Material	Polycarbonate
Outer Lens Color	Clear
Housing Material	Die-Cast Aluminum
Housing Color	Black
Bezel Color	Black
Retrofits	2D1 "PAR56" or 7" round headlights
Minimum Operating Temperature	-40 (°C) / -40 (°F)
Maximum Operating Temperature	65 (°C) / 149 (°F)
Connector or Wiring	H4
Mating Connector	H4 AMP#172615-2
Product Weight	2.31 (lbs) / 1.05 (kgs)

PRODUCT DIMENSIONS



ELECTRICAL SPECIFICATIONS

Input Voltage	12-24 V DC
Operating Voltage	9-32 V DC
Transient Spike Protection	150V Peak @ 1 HZ-100 Pulses
Black Wire	Ground
White Wire	High Beam
Yellow Wire	Low Beam
Current Draw	3.00A @ 12V DC (High Beam) 2.00A @ 12V DC (Low Beam) 1.60A @ 24V DC (High Beam) 1.10A @ 24V DC (Low Beam)

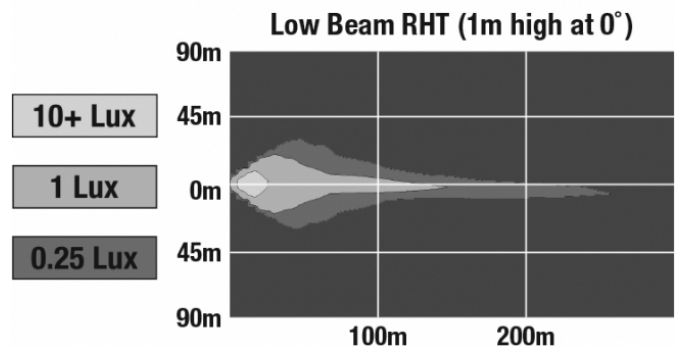
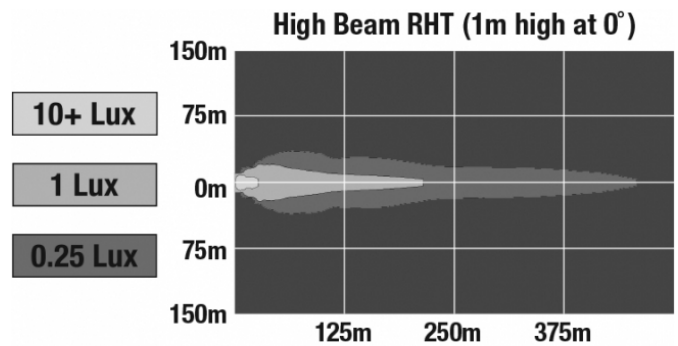
REGULATORY STANDARDS COMPLIANCE



Buy America Standards	ECE Reg 112
ECE Reg 7	Eco Friendly
IEC IP67	

PHOTOMETRIC SPECIFICATIONS

Raw Lumen Output	2,610 (High Beam); 1,770 (Low Beam)
Effective Lumen Output	1,150 (High Beam); 750 (Low Beam)
Nominal LED Color Temperature	5000 (K)
Beam Pattern(s)	Forward Lighting - High Beam (DOT/ECE) Forward Lighting - Low Beam (ECE Right Hand)



APPLICATIONS



ADDITIONAL INFORMATION

Headlight must be securely mounted and properly aimed such that the beam pattern cut off line complies with all applicable regulations. If you are not familiar with the legal requirements for aiming your headlights, please see a professional service provider. We recommend that headlights are aimed with a headlight aiming system for proper alignment.

Fits the following vehicles:

1955-1983 Jeep CJ-5

1976-1986 Jeep CJ-7

1981-1985 Jeep CJ-8

1997-2006 Jeep Wrangler (TJ)

2007-2014 Jeep Wrangler 2-Door (JK)

2007-2014 Jeep Wrangler Unlimited 4-Door (JK)

ACCESSORIES



[Part Number 3156351](#)

**Mounting Ring Kit for
8700 Evolution & 8710
Series**



[Part Number 3156561](#)

**Panel Mount Bucket
Assembly for 8700
Evolution & 8710 Series**



[Part Number 3157021](#)

**Chrome Point Mount
Bucket Assembly for
8700 Evolution & 8710
Series**



[Part Number 3157091](#)

**Black Side Mount Bucket
Assembly for 8700
Evolution & 8710 Series**



[Part Number 3266081](#)

**Jumper Harness H4/H13
for 8700 Evolution &
8710 Series**



[Part Number 8000311](#)

**Anti-Flicker Harness
H4/H13 for 8700
Evolution Series
Headlights**



[Part Number 8000381](#)

**Anti-Flicker Harness
H4/H4 for 8700 Evolution
Series Headlights**

RELATED PRODUCTS



[Part Number 0549701](#)

12-24V DOT LED High & Low Beam Headlight with Black Inner Bezel



[Part Number 0549711](#)

12-24V DOT LED High & Low Beam Headlight with Chrome Inner Bezel



[Part Number 0549721](#)

12-24V ECE LED LHT High & Low Beam Headlight with FP, DRL, & Black Inner Bezel



[Part Number 0549731](#)

12-24V ECE LED LHT High & Low Beam Headlight with FP, DRL, Chrome Inner Bezel



[Part Number 0549741](#)

12-24V ECE LED RHT High & Low Beam Headlight with FP, DRL, Black Inner Bezel



[Part Number 0549751](#)

12-24V ECE LED RHT High & Low Beam Headlight with FP, DRL, Chrome Inner Bezel



[Part Number 0550201](#)

12-24V ECE LED LHT High & Low Beam Headlight with Black Inner Bezel



[Part Number 0550211](#)

12-24V ECE LED LHT High & Low Beam Headlight with Chrome Inner Bezel