



INSTRUCTIONS

-J06226

2016-03-17

SCREAMIN' EAGLE MILWAUKEE-EIGHT 4.075 IN BIG BORE CYLINDER KIT

GENERAL

Kit Numbers

16800120, 16800125

Models

For model fitment information, see the P&A retail catalog or the Parts and Accessories section of www.harley-davidson.com (English only).

Installation Requirements

▲ WARNING

The rider's safety depends upon the correct installation of this kit. Use the appropriate service manual procedures. If the procedure is not within your capabilities or you do not have the correct tools, have a Harley-Davidson dealer perform the installation. Improper installation of this kit could result in death or serious injury. (00333a)

NOTE

This instruction sheet refers to service manual information. A service manual for your year/model motorcycle is required for this installation. One is available from a Harley-Davidson dealer.

Kit Contents

See Figure 1 and Table 1.

PREPARATION

▲ WARNING

To prevent accidental vehicle start-up, which could cause death or serious injury, remove main fuse before proceeding. (00251b)

NOTE

- **WITH security siren:** With security fob present, turn ignition switch ON. See the service manual. Disarm security system. Turn ignition switch OFF. **IMMEDIATELY** remove the main fuse.
- **WITHOUT security siren:** See the service manual. Remove main fuse.

INSTALLATION

1. **Disassembly:** Refer to the ENGINE section of the service manual to remove cylinder heads, cylinders and pistons. Retain the original equipment (OE) cylinder heads and related parts.
2. **Assembly:** Install Screamin' Eagle Milwaukee-Eight™ pistons, cylinders and the OE cylinder heads per the service manual ENGINE section.
3. Test ride vehicle to check for proper installation and operation.



SERVICE PARTS

is08776

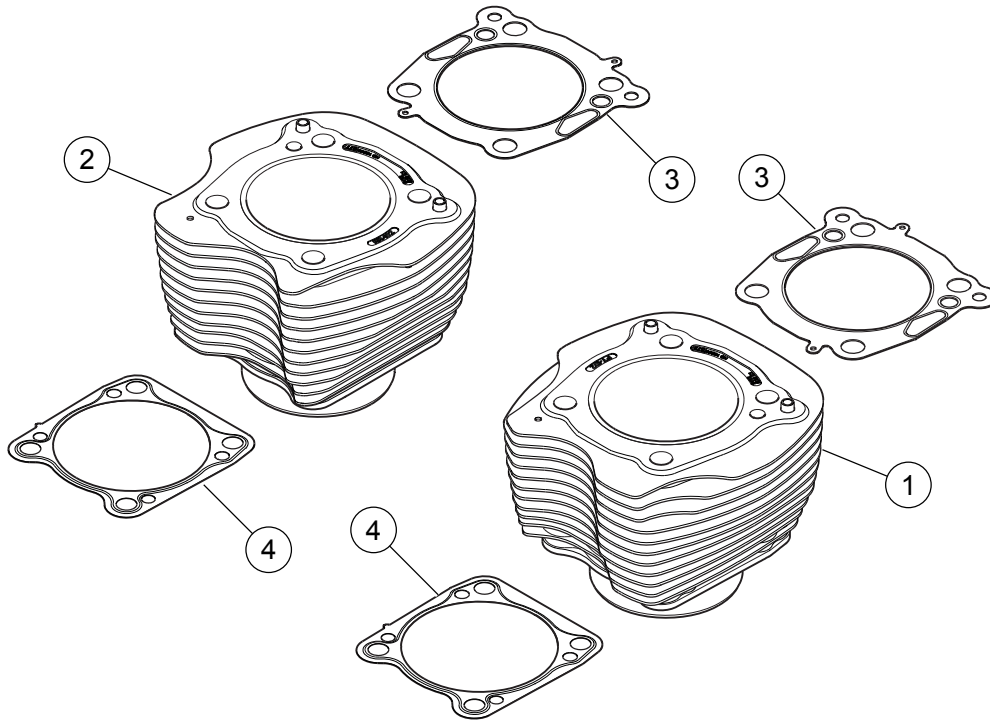


Figure 1. Service Parts, Screamin' Eagle Milwaukee-Eight 4.075 In Big Bore Cylinder Kit

Table 1. Service Parts

Kit	Item	Description (Quantity)	Part Number
Kit 16800120 (Hog Black)	1	Cylinder, front (Hog Black)	16800116
	2	Cylinder, rear (Hog Black)	16800118
Kit 16800125 (Black Granite)	1	Cylinder, front (Black Granite)	16800121
	2	Cylinder, rear (Black Granite)	16800123
Items common to ALL Kits	3	Gasket, cylinder head (2)	16500387
	4	Gasket, cylinder base (2)	16500332