



INSTRUCTIONS

-J05669

2012-11-20

FRONT ENGINE MOUNT BRACKET

GENERAL

Kit Number

16400022

Models

For model fitment information, see the P&A Retail Catalog or the Parts and Accessories section of www.harley-davidson.com (English only).

Additional Parts Required

Loctite[®] 272 Threadlocker. (Part Number 98618-03)

Loctite[®] 243 Threadlocker and Sealant-Blue. (Part Number 99642-97)

⚠ WARNING

The rider's safety depends upon the correct installation of this kit. Use the appropriate service manual procedures. If the procedure is not within your capabilities or you do not have the correct tools, have a Harley-Davidson dealer perform the installation. Improper installation of this kit could result in death or serious injury. (00333a)

Kit Contents

See Figure 1 and Table 1.

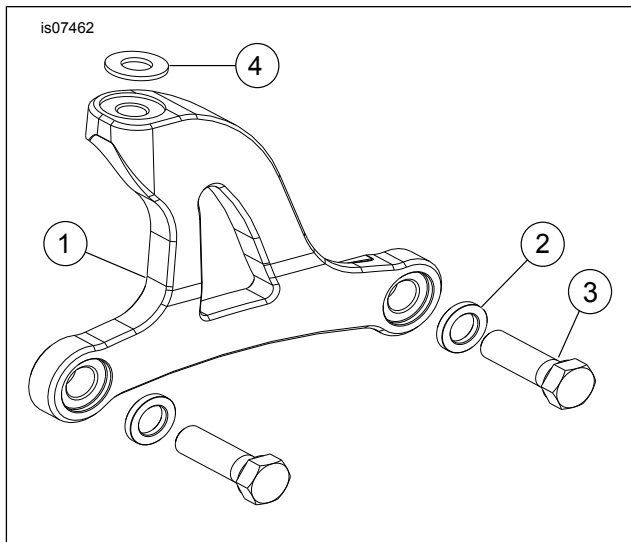


Figure 1. Bracket Kit, Tie-Link, Chrome XL

Table 1. Service Parts

Item	Description (Quantity)	Part Number
1	Bracket, tie-link (chrome)	Not Sold Separately
2	Washer (chrome) (2)	10300045
3	Screw, hex hd (chrome) (2)	10200222
4	Flat washer (chrome)	94067-90T

INSTALLATION

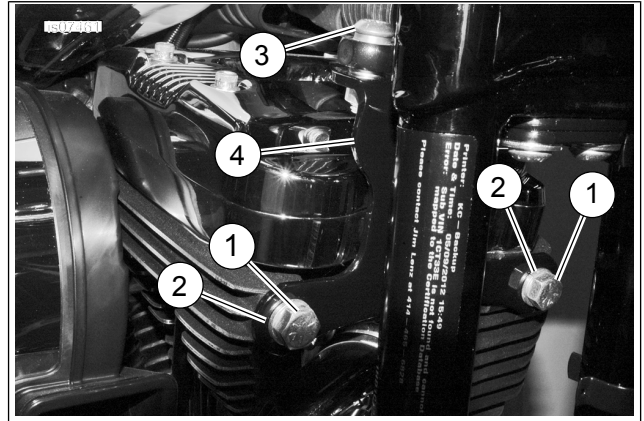


Figure 2. Remove Hardware and Bracket

NOTE

If necessary you may use a three foot length of two-by-four wood to pry between the left side of the frame with the wood close to the exhaust pipe for clearance. Do not exert excess pressure on the cylinder. Use 2x4 wood to move the rotor slightly rearward, if needed.

1. See Figure 2. Remove the TORX[®] screw (3) from the bracket (4) and stabilizer link. Save screw and clean the lock patch[®] from the screw threads.
2. Remove the two bottom screws (1) and washers (2) from the bracket. Discard bracket, screws, and washers.
3. See Figure 1. Install the two washers (2) to hex screws (3) from kit, and apply Loctite 272. Install the new bracket (1) with hex screws and washers. Tighten screws to 74.5–88.1 N·m (55–65 ft-lbs).
4. Apply Loctite 243 to the top TORX[®] screw. Install the TORX screw with top washer (4) from kit to stabilizer link and bracket. Tighten screw to 33.8–47.4 N·m (25–35 ft-lbs).