



# INSTRUCTIONS

-J05062

REV. 2009-10-07

## TOURING CHROME UPPER FRONT STABILIZER LINK

### GENERAL

#### Kit Number

16213-10

#### Models

For model fitment information, see the P&A Retail Catalog or the Parts and Accessories section of [www.harley-davidson.com](http://www.harley-davidson.com) (English only).

#### Additional Parts Required

Loctite® 262 Threadlocker and Sealant (94759-99)

#### Kit Contents

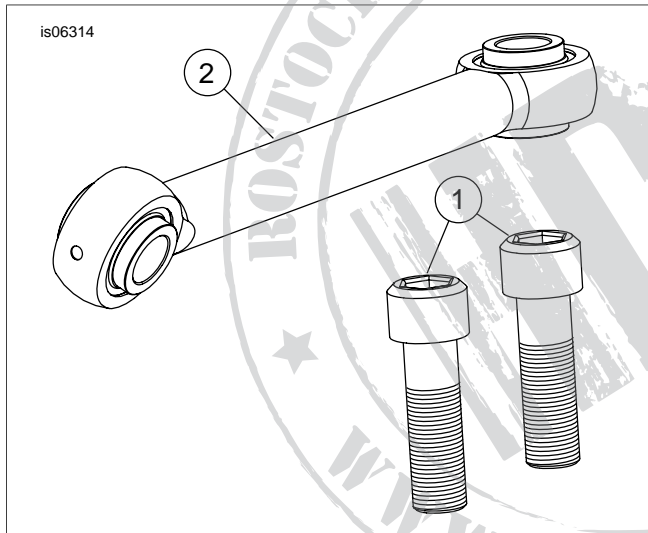


Figure 1. Service Parts

Table 1. Service Parts

Item	Description (Quantity)	Part Number
1	Screw (chrome)	94355-91TS
2	Stabilizer link (chrome)	Not Sold Separately
<b>Items mentioned in text, but not included in kit.</b>		
A	Washer (2)	

### INSTALLATION

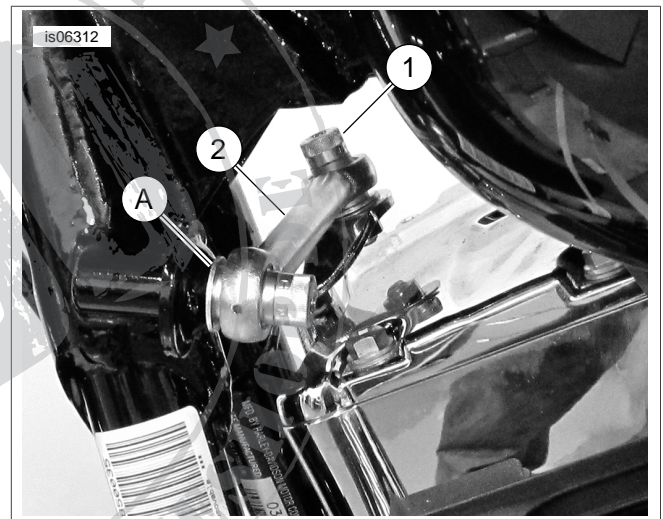


Figure 2. Service Parts for Stabilizer Link

1. Remove screws and front stabilizer link. Save the washers for reuse.
2. Clean the threads of the screws and apply Loctite 262 to the threads.
3. Install the kit stabilizer link, screws and washers. Tighten screws to 18-22 ft-lbs (24.4-29.8 Nm).