



INSTRUCTIONS

-J05149

REV. 2010-03-05

TWIN CAM BETA CASE SUPPORT BLOCKS

GENERAL

Kit Number

14900004

Models

For model fitment on 2000 - later Softail models

⚠ WARNING

The rider's safety depends upon the correct installation of this kit. Use the appropriate service manual procedures. If the procedure is not within your capabilities or you do not have the correct tools, have a Harley-Davidson dealer perform the installation. Improper installation of this kit could result in death or serious injury. (00333a)

NOTE

This instruction sheet references service manual information. A service manual for your model motorcycle is required for this installation and is available from a Harley-Davidson Dealer.

Kit Contents

See Figure 3 and Table 1.

Replacement parts for this kit are available directly from the vendor. If replacement parts are needed contact Jims® at 805-482-6913 or www.jimsusa.com.

INSTALLATION

NOTE

This tool is made to attach to any Twin Cam Beta left engine case to support it properly while using an arbor press. It also protects the powder coat finish on cases from being marred.

1. Refer to the appropriate service manual section to disassemble the case halves and for servicing the balancer bearings.
2. When you have disassembled the case halves either with flywheels in left case or removed depending on service performed, you can now attach the support blocks from the kit.
3. See Figure 1 and Figure 3 and Table 1. Use the four screws (3) and washers (4) provided and insert in the four case bolt holes as shown and hand tighten the screws snug.
4. See Figure 2. If you have flywheels that are still in the left case you will need to use a 4 x 4 block under each support block to clear the sprocket shaft while working on a bench. A hole in a work bench works good for this issue. If using an arbor press for service work and flywheels are removed from the cases the 4 x 4 blocks will not be required.

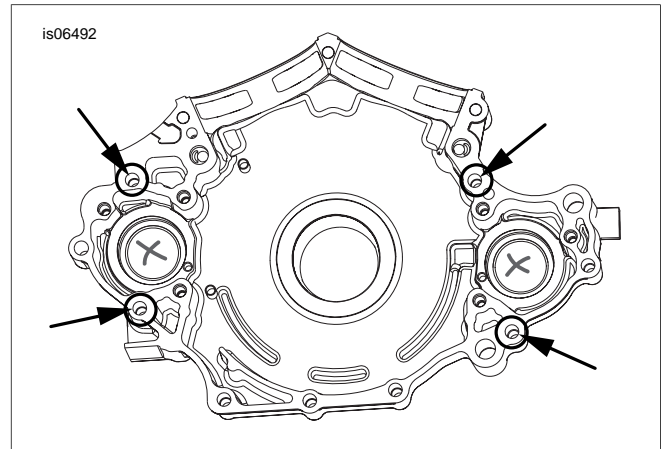
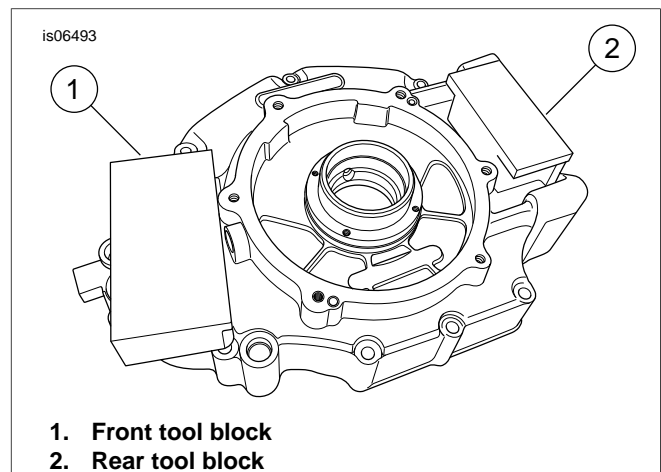


Figure 1. Support Blocks Bolt Hole Locations



1. Front tool block
2. Rear tool block

Figure 2. Tool Blocks Installed



SERVICE PARTS

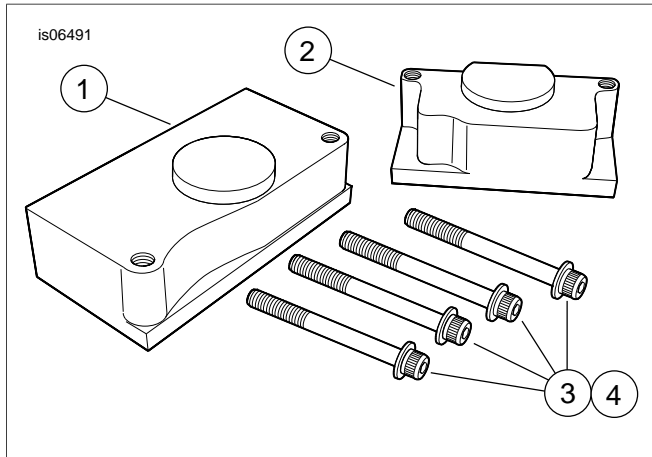


Figure 3. Service Parts: Twin Cam Beta Case Support Blocks

Table 1. Service Parts

Item	Description (Quantity)	Part Number
1	Front tool block	916-1
2	Rear tool block	916-2
3	Screw (4)	1701
4	Washer (4)	2014

If replacement parts are needed contact JIMS® at 805-482-6913 or www.jimsusa.com

