



INSTRUCTIONS

-J05643

2012-06-29

BURST COLLECTION FORK SLIDER MEDALLION KIT

GENERAL

Kit Number

14100434

Models

For model fitment information, see the P&A Retail Catalog or the Parts and Accessories section of www.harley-davidson.com (English only).

Kit Contents

See Figure 1 and Table 1.

Table 1. Service Parts

Item	Description (Quantity)	Part Number
1	Template (2)	Not Sold Separately
2	Medallion (2)	Not Sold Separately
3	Emblem (2)	14100423

INSTALLATION

1. Thoroughly clean the fork slider mounting surface with a 50/50 isopropyl alcohol/water solution. Allow to dry thoroughly.
2. See Figure 1. Align the long vertical edge of the template (1) to the rear seam of the fork slider.
3. Wrap the template around the front surface of the slider. Tape into place.
4. Repeat for the other side.
5. Verify that the medallion opening is centered along the fork axis for both templates.
6. Remove backing from medallions (2). Align in the template opening and press each medallion against the slider. Apply moderate pressure to each medallion for 5 seconds.
7. Remove templates.

SERVICE PARTS

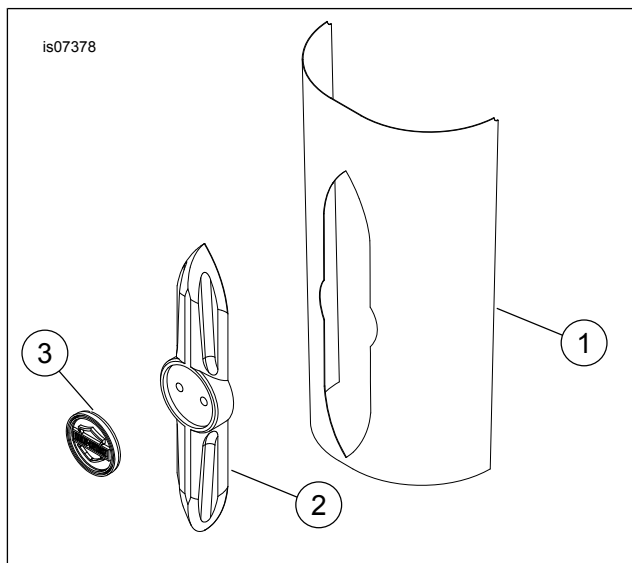


Figure 1. Service Parts: Burst Collection Fork Slider Medallion Kit

