



## ZOMBIE AXLE CAPS

## 1237

**FITS: '07-UP SOFTAIL MODELS (EX. SPRINGER AND DEUCE) AND '02-UP V-ROD (EX. VRSCR)**

### PARTS INCLUDED

- 1 Right Side Axle Cap (B)
- 1 Left Side Axle Cap (C)
- 1 Installation Instructions

*Please read and understand entire instructions before starting installation.*

### THANK YOU FOR CHOOSING KÜRYAKYN!

**IN ORDER TO PROTECT YOU AND OTHERS FROM POSSIBLE INJURY AND/OR PROPERTY DAMAGE OR LOSS, PLEASE PAY CLOSE ATTENTION TO ALL INSTRUCTIONS, WARNINGS, CAUTIONS AND ATTENTION NOTES REGARDING THE USE AND CARE OF THIS PRODUCT.**

**WARNING!** THIS INDICATION ALERTS YOU TO THE FACT THAT IGNORING THE CONTENTS DESCRIBED HEREIN CAN RESULT IN POTENTIAL DEATH OR SERIOUS INJURY.

**CAUTION!** This indication alerts you to the fact that ignoring the contents described herein can result in potential injury or material damage.

**ATTENTION!** This indication alerts you to the fact that ignoring the contents described herein may negatively affect product performance and functionality.

### TOOLS SUGGESTED

Set of hex wrenches

**STRICTLY OBSERVE THE FOLLOWING GUIDELINES IN ORDER TO USE THE PRODUCT PROPERLY AND AVOID POTENTIALLY DANGEROUS ACCIDENTS.**

### PROCEDURE

**NOTE** Zombie Axle Cap operation is solely the result of air rushing past the front axle. All products are inspected at the factory prior to packaging for correct operational tolerances. The blades should begin to spin at approximately 25mph and continue to spin at all speeds above that. Starting speed can be affected by several factors; the position of the blades when they stopped spinning, starting out into a strong headwind, starting out with a tailwind, and rain. Once at highway speeds, operation may be affected by crosswinds, strong gusts, wind blasts from large vehicles, etc. Like other moving parts on your bike, periodic maintenance is required; see care and maintenance section for details.

**-cont.-**

### CUSTOMER SERVICE

877.370.3604 (toll free)

### INSTALLATION QUESTIONS

techsupport@kuryakyn.com  
or call 715.247.2983

### LIMITED WARRANTY

Kuryakyn warrants that any Kuryakyn products sold hereunder, shall be free of defects in materials and workmanship for a period of one (1) year from the date of purchase by the consumer excepting the following provisions:

- Kuryakyn shall have no obligation in the event the customer is unable to provide a receipt showing the date the customer purchased the product(s).
- The product must be properly installed, maintained and operated under normal conditions.
- Kuryakyn makes no warranty, expressed or implied, with respect to any gold plated products.
- Kuryakyn shall not be liable for any consequential and incidental damages, including labor and paint, resulting from failure of a Kuryakyn product, failure to deliver, delay in delivery, delivery in nonconforming condition, or for any breach of contract or duty between Kuryakyn and a customer.
- Kuryakyn products are often intended for use in specific applications. Kuryakyn makes no warranty if a Kuryakyn product is used in applications other than intended.
- Kuryakyn electrical products are warranted for one (1) year from the date of purchase by the consumer. Components of Kuryakyn products containing L.E.D.s will be warranted for defects in materials and workmanship for 3 years from the date of purchase.
- Kuryakyn makes no warranty of any kind in regard to other manufacturer's products distributed by Kuryakyn. Kuryakyn will pass on all warranties made by the manufacturer and where possible, will expedite the claim on behalf of the customer, but ultimately, responsibility for disposition of the warranty claim lies with the manufacturer.

### ABOUT OUR CATALOG

You'll find all our innovations for H-D, GL and Metric Cruisers in our annual catalogs. Order online today—select the "CATALOGS" icon. Each Kuryakyn product comes with a Proof-of-Purchase good for a complimentary catalog. Details in packaging.

Be sure to ask your local dealer about other Kuryakyn products, the motorcycle parts and accessories designed for riders by riders.

©2005 Kuryakyn USA All Rights reserved.



**STEP 1** Park the motorcycle on a hard, level surface; turn off the ignition.

**STEP 2** Determine the left (C) and right (B) side axle caps. See [PIC.1](#). The blades should be oriented to "catch" the wind and spin in the same direction as the front wheel.

**WARNING!** IMPROPER INSTALLATION OR USE OF THIS PRODUCT COULD RESULT IN SERIOUS INJURY OR DEATH.

**ATTENTION!** It is the installer's responsibility to ensure that all of the fasteners (including pre-assembled) are tightened before operation of the motorcycle. Küryakyn will not warranty components lost due to improper installation. Periodic maintenance may be required.

**STEP 3** Hold the caps in position and tighten the set screw against the axle.

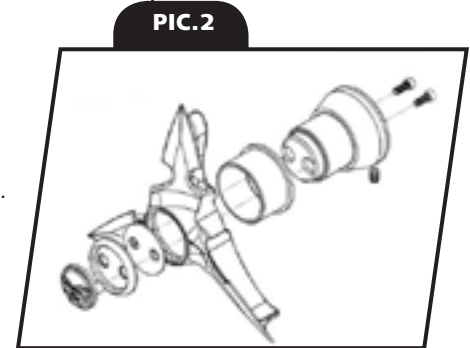
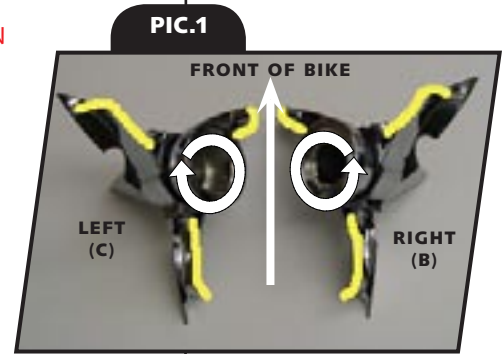
**STEP 4** Ensure proper clearance and operation before riding the motorcycle.

### CARE AND MAINTENANCE

- Periodic cleaning will be necessary. Remove bugs and road grime from the hubs and bushings.
- Loosen the set screw at the base of the axle cap; remove the axle cap from the axle. See [PIC.2](#).
- Remove the two screws inside the base to separate the hub from the bushing. See [PIC.2](#).
- Lubricate hubs and bushings with dry graphite lubricant.
- Refer to [PIC.2](#) for the correct re-assembly of the axle caps.

*Ride On!*

**Küryakyn**



**PAGE**

**2**

**ZOMBIE AXLE CAPS INSTALLATION**